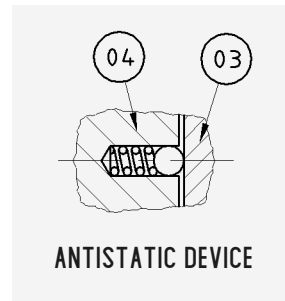
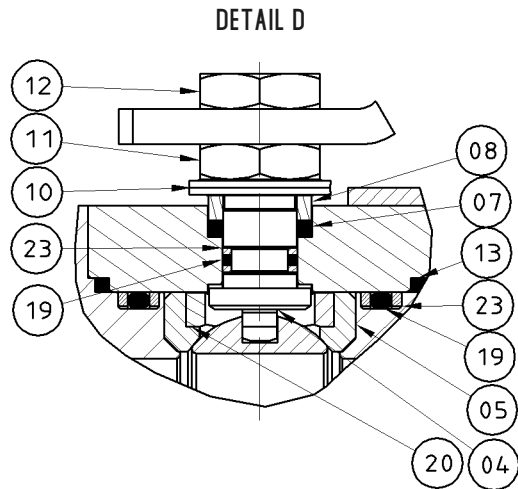
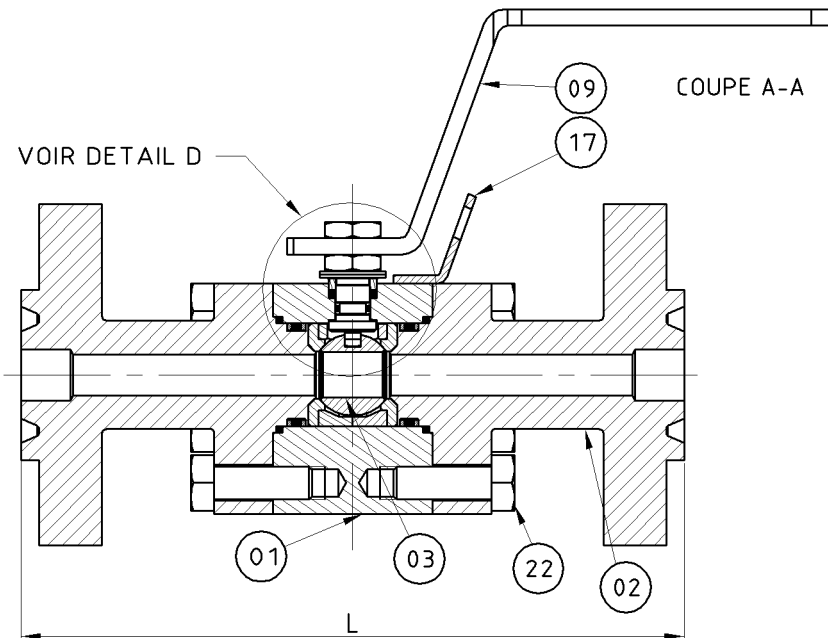
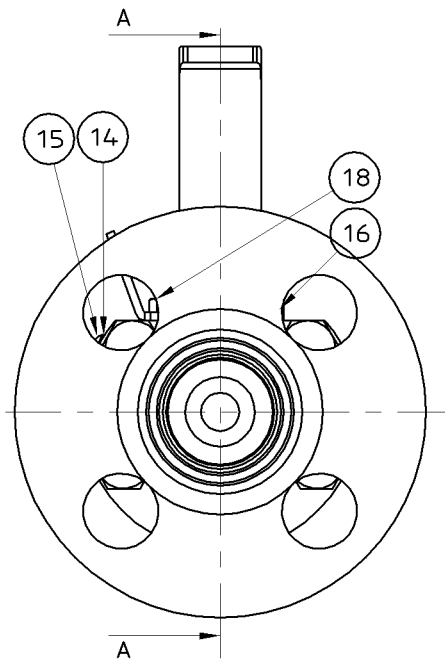


BALL VALVE

BTB ROBINET BOULONNÉ À BOISSEAU FLOTTANT BTB FLOATING BOLTED BALL VALVE



Sizes	from 1/2" to 3"
Pressure Ratings	ANSI: 150 to 2500
Material	Carbon Steel / Stainless Steel / Duplex Steel / Aluminum Bronze / High Nickel Alloys / Titanium... Forged or cast construction
Seats	Metal to metal / Soft seat
End Connections	Flanged / Buttweld / NPT-F / SW
Design	Full Bore / Reduced Bore According to: - ANSI B16-34 - API 6D - EEMUA 182 - Customer specifications - API & ISO Fire Safe Certifications - FET ISO 15848 Rate A
Design	Cryogenic - Oxygen Service - High Temperature Special / Low Flow Conditions...



COMPONENT PARTS

23	BAGUE ANTI-EXTRUSION / ANTI EXTRUSION RING
22	VIS / SCREW
21	JOINT TORIQUE / O-RING
20	BAGUE DEUX PIECES / SPLIT RING
19	JOINT TORIQUE / O-RING
18	VIS DE FIXATION / SCREW (OPTION)
17	PATTE DE VERROUILLAGE / LOCKING DEVICE (OPTION)
16	GOUPILLE / PIN
15	RIVET / RIVET
14	PLAQUE D'IDENTIFICATION / FIRM PLATE
13	JOINT D'ETANCHEITE / BODY CONNECTOR SEAL
12	ECROU / NUT
11	ECROU DE FOULOIR / GLAND NUT
10	RONDELLE RESSORT / DISC SPRING
09	POIGNEE / HANDLE
08	FOULOIR / PACKING GLAND
07	GARNITURE D'ETANCHEITE / PACKING RING
06	RONDELLE DE FRICTION / FRICTION RING
05	ELEMENT D'ETANCHEITE / BODY SEAT RING
04	AXE DE COMMANDE / STEM
03	TOURNANT SPHERIQUE / BALL
02	EMBOUT / END CONNECTOR
01	CORPS / BODY
REP	DESIGNATION